



Cat® CS44B

SMOOTH DRUM VIBRATORY SOIL COMPACTOR

FEATURES:

The Cat® CS44B features a smooth drum and is ideally suited for granular soil applications:

- **Comfortable and ergonomic operator station** features pivoting seat with integrated multifunction LCD display and control console, outstanding visibility to the front and rear of machine, low sound and vibration levels for greater operator comfort and productivity.
- **World-class propel system** built around the exclusive Cat dual pump propel system, two pumps provide separate dedicated flow to drum drive motor and rear axle motor for exceptional gradeability and traction in forward and reverse.
- **Virtually maintenance free** due to maintenance-free hitch bearings and extended maintenance intervals for vibratory system and hydraulic system, providing more uptime and lower maintenance costs.
- **Powerful Cat C3.4B Engine** meets US EPA Tier 4 Final and EU Stage IV emission standards.
- **Optional Cat Compaction Control** helps the operator determine when compaction has been completed to specification for greater productivity and uniform compaction quality.
- **Compact, highly maneuverable and transportable.**

Specifications

Engine - Power Train

Engine Model	Cat C3.4B	
Global Emissions	US EPA Tier 4 Final EU Stage IV	
Gross Power ISO 14396	75 kW	100.6 hp
Displacement	3.4 L	207 in ³
Stroke	110 mm	4.3 in
Bore	99 mm	3.9 in
Max. Travel Speed (Forward or Reverse)	11.4 km/h	7.0 mph

Weights

Operating Weight w/ ROPS/FOPS Canopy	6943 kg	15,307 lb
Weight at Drum	3384 kg	7,460 lb
Operating Weight w/ ROPS/FOPS Cab	7210 kg	15,895 lb
Weight at Drum	3518 kg	7,756 lb
With Padfoot Shell Kit	+1031 kg	+2,273 lb
With Leveling Blade	+ 432 kg	+ 952 lb

Vibratory System Specifications

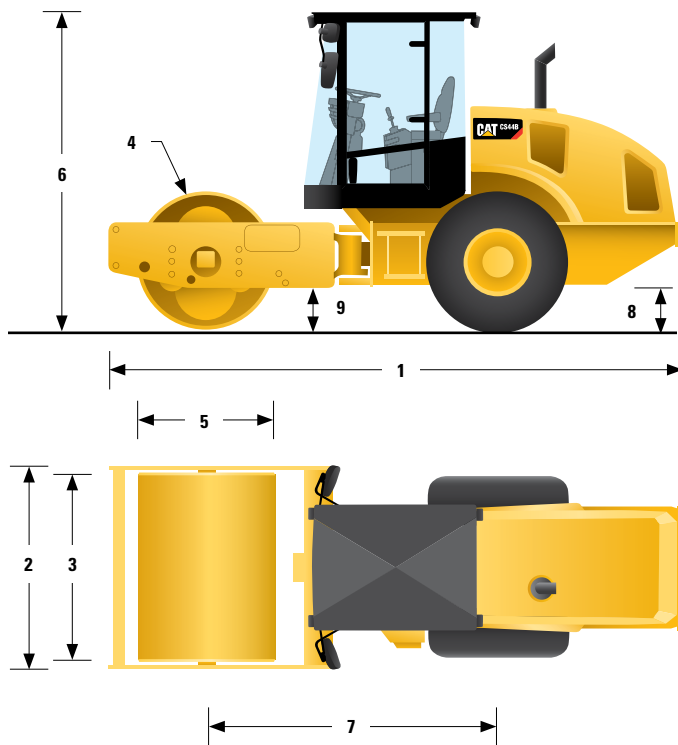
Frequency		
Standard	31.9 Hz	1914 vpm
During Eco-mode Operation	29 Hz	1744 vpm
Optional Variable Frequency	23.3-31.9 Hz	1400-1914 vpm
Nominal Amplitude @31.9 Hz (1914 vpm)		
High	1.67 mm	0.066 in
Low	0.84 mm	0.033 in
Centrifugal Force @ 31.9 Hz (1914 vpm)		
Maximum	133 kN	29,900 lb
Minimum	67 kN	15,000 lb
Static Linear Load		
w/ ROPS/FOPS	20.2 kg/cm	113 lbs/in
w/ ROPS/FOPS Cab	21 kg/cm	118 lbs/in

Service Refill Capacities

Fuel Tank, total capacity	150 L	40 gal
Diesel Exhaust Fluid refill	18.9 L	5 gal
Cooling System	15.8 L	4.2 gal
Engine Oil w/ Filter	9 L	2.4 gal
Eccentric Weight Housings	26 L	6.9 gal
Axle and Final Drives	14.6 L	3.9 gal
Hydraulic Tank (service refill)	26 L	6.9 gal



CS44B Vibratory Soil Compactor



Dimensions

1 Overall Length	5.09 m	16.7 ft
w/ Optional Leveling Blade	5.62 m	18.44 ft
2 Overall Width	1.8 m	5.91 ft
w/ Optional Leveling Blade	2.12 m	6.95 ft
3 Drum Width	1676 mm	66 in
4 Drum Shell Thickness	25 mm	1 in
5 Drum Diameter	1221 mm	48.1 in
6 Overall Height		
-Cab	2.85 m	9.35 ft
-ROPS/FOPS	2.81 m	9.22 ft
7 Wheelbase	2.6 m	8.5 ft
8 Ground Clearance	411 mm	16.2 in
9 Curb Clearance	369 mm	14.5 in
Inside Turning Radius	3.05 m	10.0 ft
Hitch Articulation Angle	37°	
Hitch Oscillation Angle	15°	

Optional Padfoot Shell Kit Specifications

Number of Pads (oval or square)	98	
Pad Height, oval pads	89 mm	3.5 in
Pad Face Area, oval pads	63.8 cm ²	9.9 in ²
Pad Height, optional square pads	79.4 mm	3.13 in
Pad Face Area, optional square pads	95.5 cm ²	14.8 in ²
Number of Chevrons	14	

STANDARD EQUIPMENT Varies by market- contact your Dealer for specifics.

ELECTRICAL

- 12-volt Electrical System
- 120-ampere Alternator
- 1000 Cold-cranking Amps Battery Capacity

OPERATOR ENVIRONMENT

- ROPS/FOPS or ROPS/FOPS Cab - *Depends on market*
- Adjustable Seat with Integrated Console and LCD Display
- Multifunction LCD Display with gauges and/or audible warning alarm for: *Hydraulic oil temperature, Engine oil pressure, Engine coolant temperature, Alternator charge, Fuel level, Service hour meter, Engine RPM, Ground speed, Vibe frequency, Fuel rate, Air filter constriction, Engine load and Optional Cat Compaction Control*
- Platform Handrails/Guardrails *ROPS/FOPS models only*
- Adjustable Tilting Steering Column with Integrated Cup Holders
- Seat Belt
- Lockable Vandalism Guard for LCD Display *ROPS/FOPS models only*
- 12-volt Power Outlet
- Floor Mat
- Interior Rear View Mirror *ROPS/FOPS models only*
- Horn, Backup Alarm

POWER TRAIN

- Cat C3.4B Engine
- Air Cleaner, Dual Element
- Two-speed Throttle Switch, Eco-mode,
- Dual Propel Pumps; One for Drum Drive, One for Rear Axle
- Fuel Filter, Water Separator, Water Indicator
- Tilting Hydraulic Oil/Fuel Cooler
- Dual Braking System
- Two-speed Hydrostatic Transmission

VIBRATORY SYSTEM

- Smooth Drum
- Dual Amplitude, Single Frequency
- Pod-Style Eccentric Weight Housing
- Auto-vibe Function
- Front Adjustable Steel Scraper

OTHER

- Hydraulic Oil Level Sight Gauge
- Cat ToughGuard™ Hose
- S-O-SSM Sampling Valves, Engine Oil and Hydraulic Oil
- Universal Bumper

OPTIONAL EQUIPMENT

- ROPS/FOPS Cab with Climate Control
- Padfoot Shell Kit (Square or Oval pad shape)
- Scraper Shell Kit Ready
- Leveling Blade
- Variable Vibration Frequency
- Cat Compaction Control, CMV
- Beacon, Rotating
- Recording Module for Vibration Frequency
- Steel Rear-side Drum Scraper
- Bio-oil Factory Fill
- Sun Visor
- Cab Internal Roll-down Sun Screen
- Product Link™
- Additional Rear View Mirrors

For more complete information on Cat products, dealer services, and industry solutions, visit us on the web at www.cat.com

QEHQ1911-01 (07-15)

© 2015 Caterpillar
All Rights Reserved
Printed in U.S.A.

Weights and dimensions listed are approximate. Materials and specifications are subject to change without notice. Featured machines in photos may include additional equipment. See your Cat dealer for available options.

CAT, CATERPILLAR, BUILT FOR IT, their respective logos, "Caterpillar Yellow" and the "Power Edge" trade dress, as well as corporate and product identity used herein, are trademarks of Caterpillar and may not be used without permission.

