

KOMATSU

PC138US-11
PC210LC-11
PC240LC/NLC-11
Super Long Front Specification

PC360LC-11
Long Reach Specification
Super Long Front Specification

HYDRAULIC EXCAVATOR



SUPER LONG FRONT/LONG REACH

ENGINE POWER

72,6 kW / 97,3 HP - 202 kW / 271 HP

OPERATING WEIGHT

15.100 kg - 43.150 kg

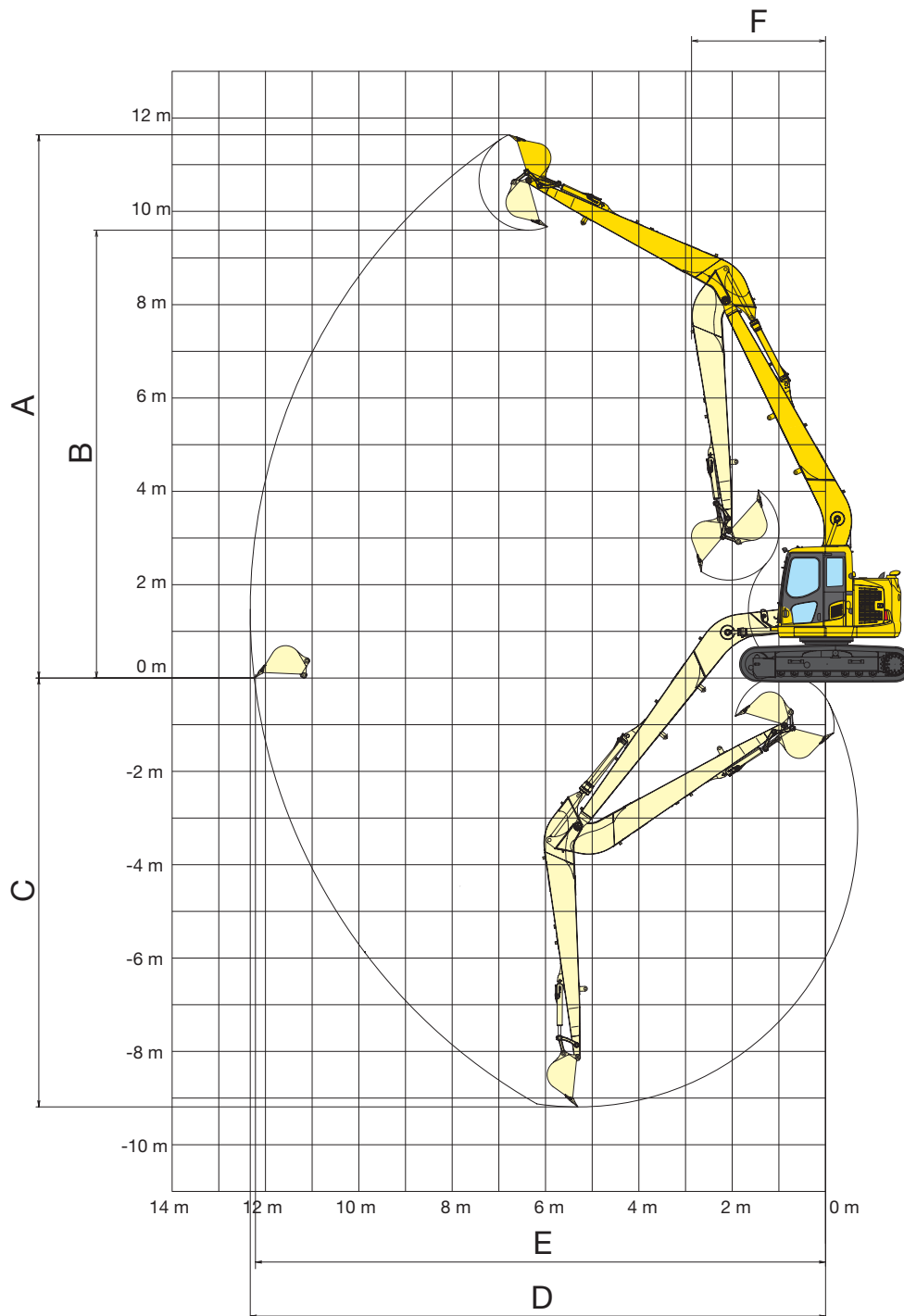
WORKING RANGE

12,3 m - 22,0 m

Working Range PC138US-11

SUPER LONG FRONT SPECIFICATION

SUPER LONG FRONT/LONG REACH



SUPER LONG FRONT

PC138US-11

A	Max. digging height	11.610 mm
B	Max. dumping height	9.560 mm
C	Max. digging depth	9.190 mm
D	Max. digging reach	12.320 mm
E	Max. digging reach at ground level	12.200 mm
F	Min. swing radius	2.870 mm

Specifications PC138US-11

ENGINE

Model	Komatsu SAA4D95LE-7
Type	Common rail direct injection, water-cooled, emissionised, turbocharged, after-cooled diesel
Engine power	
at rated engine speed	2.050 rpm
ISO 14396	72,6 kW / 97,3 HP
ISO 9249 (net engine power)	72,5 kW/97,2 HP
No. of cylinders	4
Bore x stroke	95 x 115 mm
Displacement	3,26 l
Air filter type	Double element type with monitor panel dust indicator and auto dust evacuator
Cooling	Suction type cooling fan with radiator fly screen
Fuel	Diesel fuel, conforming to EN590 Class 2/Grade D. Paraffinic fuel capability (HVO, GTL, BTL), conforming to EN 15940:2016

HYDRAULIC SYSTEM

Type	HydrauMind. Closed-centre system with load sensing and pressure compensation valves
Additional circuit	High flow additional hydraulic circuit and low flow additional hydraulic circuit
Main pump	1 variable displacement piston pump supplying boom, arm, bucket, swing and travel circuits
Maximum pump flow	242 l/min
Relief valve settings	
Implement	355 kg/cm ²
Travel	355 kg/cm ²
Swing	265 kg/cm ²
Pilot circuit	33 kg/cm ²

SERVICE REFILL CAPACITIES

Fuel tank	200 l
Radiator	16,1 l
Engine oil	11,5 l
Swing drive	2,5 l
Hydraulic tank	69 l
Final drive (each side)	2,1 l
AdBlue® tank	21,1 l

OPERATING WEIGHT (APPR.)

	Operating weight	Ground pressure
Triple grouser shoes		
500 mm	14.900 kg	0,49 kg/cm ²
600 mm	15.100 kg	0,43 kg/cm ²
700 mm	15.300 kg	0,38 kg/cm ²
500 mm road liner	15.100 kg	0,49 kg/cm ²

Operating weight, including Super Long Front work equipment, 210 kg bucket, operator, lubricant, coolant, full fuel tank and the standard equipment.

SWING SYSTEM

Type	Axial piston motor driving through planetary double reduction gearbox
Swing lock	Electrically actuated wet multidisc brake integrated into swing motor
Swing speed	0 -11 rpm
Swing torque	33 kNm

DRIVES AND BRAKES

Steering control	2 levers with pedals giving full independent control of each track
Drive method	Hydrostatic
Gradeability	70%, 35°
Max. travel speeds	
Lo / Hi	2,9 / 5,1 km/h
Maximum drawbar pull	12.500 kg
Brake system	Hydraulically operated discs in each travel motor

UNDERCARRIAGE

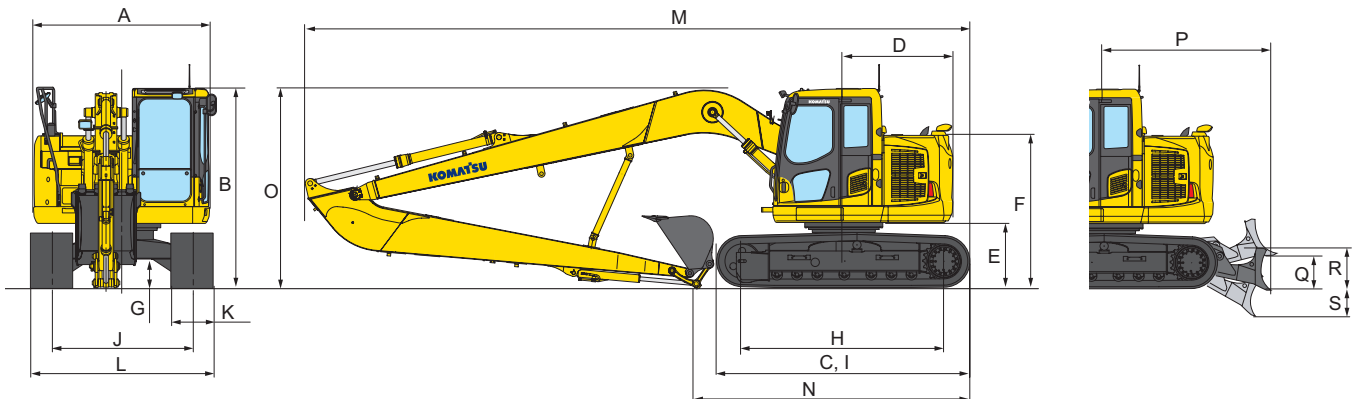
Construction	X-frame centre section with box section track frames
Track assembly	
Type	Fully sealed
Shoes (each side)	43
Tension	Combined spring and hydraulic unit
Rollers	
Track rollers (each side)	7
Carrier rollers (each side)	1

ENVIRONMENT

Engine emissions	Fully complies with EU Stage IV exhaust emission regulations
Noise levels	
LwA external	99 dB(A) (2000/14/EC Stage II)
LpA operator ear	72 dB(A) (ISO 6396 dynamic test)
Vibration levels (EN 12096:1997)	
Hand/arm	≤ 2,5 m/s ² (uncertainty K = 0,63 m/s ²)
Body	≤ 0,5 m/s ² (uncertainty K = 0,25 m/s ²)
Contains fluorinated greenhouse gas HFC-134a (GWP 1430). Quantity of gas 0,8 kg, CO ₂ equivalent 1,14 t	

Dimensions PC138US-11

MACHINE DIMENSIONS	PC138US-11
A Overall width of upper structure	2.490 mm
B Overall height of cab	2.815 mm
C Overall length of basic machine	3.610 mm
D Tail length	1.540 mm
Tail swing radius	1.540 mm
E Clearance under counterweight	900 mm
F Machine tail height	2.140 mm
G Ground clearance	395 mm
H Tumbler centre distance	2.880 mm
I Track length	3.610 mm
J Track gauge	1.990 mm
K Track shoe width	500, 600, 700 mm
L Overall track width with 500 mm shoes	2.490 mm
Overall track width with 600 mm shoes	2.590 mm
Overall track width with 700 mm shoes	2.690 mm
P Distance, swing center to blade	2.500 mm
Q Blade, max. lifting height	470 mm
R Height of blade	590 mm
S Blade, max. digging depth	525 mm
Blade width (with 500 mm shoes)	2.490 mm
Blade width (with 600 mm shoes)	2.590 mm



TRANSPORT DIMENSIONS	
Arm length	4.930 mm
Boom length	6.490 mm
M Transport length	9.580 mm
N Length on ground (transport)	4.500 mm
O Overall height (to top of boom)	2.780 mm

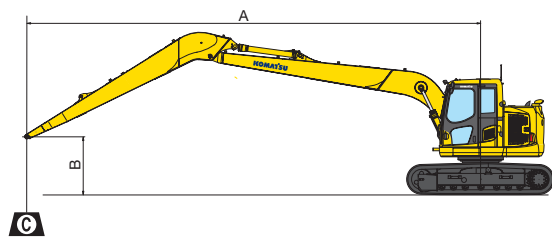
SUPER LONG FRONT/LONG REACH

Lifting Capacity PC138US-11

SUPER LONG FRONT SPECIFICATION

With 500 mm shoes

A	☉		10,5 m		9,0 m		7,5 m		6,0 m		4,5 m		3,0 m	
	🔗	🔗	🔗	🔗	🔗	🔗	🔗	🔗	🔗	🔗	🔗	🔗	🔗	🔗
7,5 m	kg	690	660			1.210	1.190	1.510	1.490					
6,0 m	kg	670	250			*1.590	1.410	*1.690	1.610					
4,5 m	kg	590	580	1.060	1.040	1.810	1.610	*1.990	1.810	2.040	1.960			
3,0 m	kg	590	580	1.210	1.180	1.760	1.410	*2.140	1.610	*2.640	2.310	*3.340	3.240	
1,5 m	kg	570	570	1.160	1.140	1.810	1.260	2.060	1.560	2.260	2.190	*3.840	3.110	*3.240 *3.240
0,0 m	kg	630	620	1.160	1.140	1.690	1.160	2.030	1.310	2.210	2.010	*3.190	2.790	*3.090 *3.090
-1,5 m	kg	*740	*740	1.160	1.110	1.670	1.160	2.000	1.260	2.190	2.010	*2.640	2.510	*2.940 *2.940
-3,0 m	kg	*840	*840			1.630	1.090	1.990	1.210	2.230	1.880	*2.540	2.410	*2.940 *2.940
-4,5 m	kg	*990	*990			1.610	1.080	1.990	1.210	2.240	1.690	*2.840	2.410	*2.940 *2.940



A – Reach from swing center

B – Bucket hook height

C – Lifting capacities

Weights:

Bucket linkage and bucket cylinder: 100 kg

🔗 – Rating over front

🔗 – Rating over side

☉ – Rating at maximum reach

* Load is limited by hydraulic capacity rather than tipping. Ratings are based on ISO 10567:2007.

Rated loads do not exceed 87% of hydraulic lift capacity or 75% of tipping load.

Lifting capacity stated is based on lifting with bare arm. When lifting with additional equipment installed to the arm, please subtract the weight of all additional equipment from the values stated. Lifting capacity table is published for guidance only, the machine is not intended for use as a crane.

BUCKET CAPACITY TABLE

PC138US-11

General purpose bucket

Max. bucket width	750 mm
Max bucket volume	
Material density up to 1,2 t/m ³	0,33 m ³ 230 kg
Material density up to 1,5 t/m ³	0,28 m ³ 210 kg

Ditch cleaning bucket

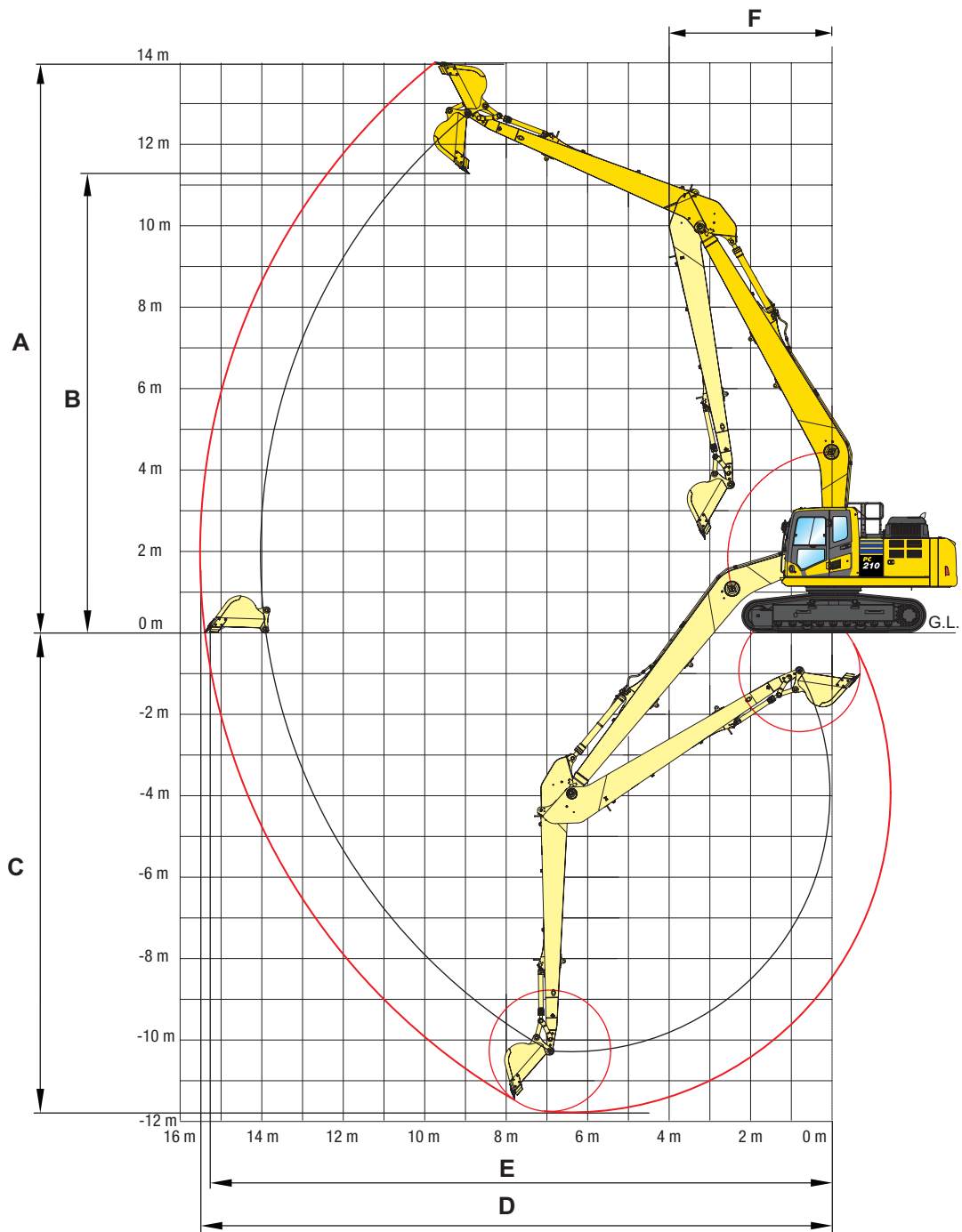
Max. bucket width	750 mm
Maximum load at end of arm*	620 kg

* Maximum load at end of arm (bucket + payload). Max. capacity and weight have been calculated according to ISO 10567:2007.

Please consult with your distributor for the correct selection of buckets and attachments to suit the application.

Working Range PC210LC-11

SUPER LONG FRONT SPECIFICATION



SUPER LONG FRONT

PC210LC-11

A	Max. digging height	13.980 mm
B	Max. dumping height	11.240 mm
C	Max. digging depth	11.790 mm
D	Max. digging reach	15.435 mm
E	Max. digging reach at ground level	15.340 mm
F	Min. swing radius	4.000 mm

SUPER LONG FRONT/LONG REACH

Specifications PC210LC-11

ENGINE

Model	Komatsu SAA6D107E-3
Type	Common rail direct injection, water-cooled, emissionised, turbocharged, after-cooled diesel
Engine power	
at rated engine speed	2.000 rpm
ISO 14396	123 kW / 165 HP
ISO 9249 (net engine power)	123 kW / 165 HP
No. of cylinders	6
Bore x stroke	107 x 124 mm
Displacement	6,69 l
Air filter type	Double element type with monitor panel dust indicator and auto dust evacuator
Cooling	Suction type cooling fan with radiator fly screen
Fuel	Diesel fuel, conforming to EN590 Class 2/Grade D. Paraffinic fuel capability (HVO, GTL, BTL), conforming to EN 15940:2016

HYDRAULIC SYSTEM

Type	HydrauMind. Closed-centre system with load sensing and pressure compensation valves
Additional circuits	1 additional circuit for tilting buckets is fitted as standard
Main pump	2 variable displacement piston pumps supplying boom, arm, bucket, swing and travel circuits
Maximum pump flow	475 l/min
Relief valve settings	
Implement	380 kg/cm ²
Travel	380 kg/cm ²
Swing	295 kg/cm ²
Pilot circuit	33 kg/cm ²

SERVICE REFILL CAPACITIES

Fuel tank	400 l
Radiator	30,7 l
Engine oil	23,1 l
Swing drive	6,5 l
Hydraulic tank	132 l
Final drive (each side)	5,0 l
AdBlue® tank	23,1 l

OPERATING WEIGHT (APPR.)

Triple grouser shoes	Operating weight	Ground pressure
600 mm	23.470 kg	0,49 kg/cm ²
700 mm	23.740 kg	0,42 kg/cm ²
800 mm	24.060 kg	0,38 kg/cm ²
900 mm	24.330 kg	0,34 kg/cm ²

Operating weight, including Super Long Front work equipment, 370 kg bucket, operator, lubricant, coolant, full fuel tank and the standard equipment.

SWING SYSTEM

Type	Axial piston motor driving through planetary double reduction gearbox
Swing lock	Electrically actuated wet multidisc brake integrated into swing motor
Swing speed	0 - 4,9 rpm
Swing torque	65 kNm

DRIVES AND BRAKES

Steering control	2 levers with pedals giving full independent control of each track
Drive method	Hydrostatic
Travel operation	Automatic 3-speed selection
Gradeability	70%, 35°
Max. travel speeds	
Lo / Mi / Hi	3,0 / 4,1 / 5,5 km/h
Maximum drawbar pull	20.600 kg
Brake system	Hydraulically operated discs in each travel motor

UNDERCARRIAGE

Construction	X-frame centre section with box section track frames
Track assembly	
Type	Fully sealed
Shoes (each side)	49
Tension	Combined spring and hydraulic unit
Rollers	
Track rollers (each side)	9
Carrier rollers (each side)	2

ENVIRONMENT

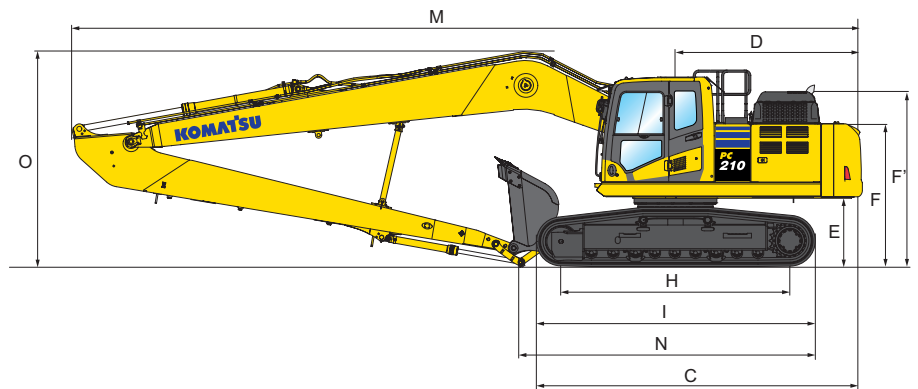
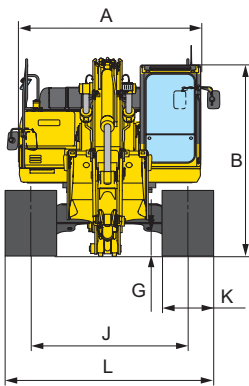
Engine emissions	Fully complies with EU Stage V exhaust emission regulations
Noise levels	
LwA external	100 dB(A) (2000/14/EC Stage II)
LpA operator ear	67 dB(A) (ISO 6396 dynamic test)
Vibration levels (EN 12096:1997)	
Hand/arm	≤ 2,5 m/s ² (uncertainty K = 0,49 m/s ²)
Body	≤ 0,5 m/s ² (uncertainty K = 0,24 m/s ²)
Contains fluorinated greenhouse gas HFC-134a (GWP 1430). Quantity of gas 0,9 kg, CO ₂ equivalent 1,29 t	

Dimensions PC210LC-11

MACHINE DIMENSIONS

PC210LC-11

A	Overall width of upper structure	2.705 mm
B	Overall height of cab	3.045 mm
C	Overall length of basic machine	5.215 mm
D	Tail length	2.990 mm
	Tail swing radius	3.020 mm
E	Clearance under counterweight	1.085 mm
F	Machine tail height	2.250 mm
F'	Machine tail height (top of engine cover)	2.765 mm
G	Ground clearance	440 mm
H	Tumbler centre distance	3.655 mm
I	Track length	4.450 mm
J	Track gauge	2.380 mm
K	Track shoe width	600, 700, 800, 900 mm
L	Overall track width with 600 mm shoes	2.980 mm
	Overall track width with 700 mm shoes	3.080 mm
	Overall track width with 800 mm shoes	3.180 mm
	Overall track width with 900 mm shoes	3.280 mm



TRANSPORT DIMENSIONS

PC210LC-11

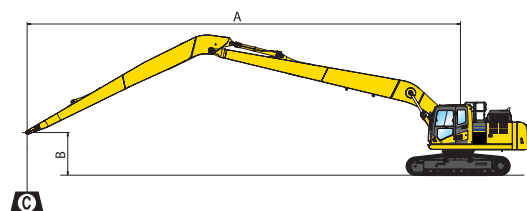
	Arm length	7.395 mm
	Boom length	8.795 mm
M	Transport length	12.590 mm
N	Length on ground (transport)	4.705 mm
O	Overall height (to top of boom)	3.560 mm

Lifting Capacity PC210LC-11

SUPER LONG FRONT SPECIFICATION

With 700 mm shoes

B	⊗		13,0 m		12,0 m		11,0 m		10,0 m		9,0 m		8,0 m		7,0 m		6,0 m		
	⊗	⊗	⊗	⊗	⊗	⊗	⊗	⊗	⊗	⊗	⊗	⊗	⊗	⊗	⊗	⊗	⊗	⊗	
10,0 m	kg	*1.300	*1.300					*1.750	*1.750	*2.050	*2.050								
9,0 m	kg	*1.250	*1.250					*2.150	2.150	*2.100	*2.100								
6,0 m	kg	*1.250	*1.250	*1.800	1.650	*2.350	1.950	*2.350	2.300	*2.400	*2.400	*2.400	*2.400						
3,0 m	kg	*1.350	1.300	2.500	1.550	*2.700	1.800	*2.800	2.100	*2.950	2.450	*3.150	2.900	*3.450	*3.450	*3.800	*3.800	*4.350	*4.350
0,0 m	kg	*1.550	1.250	2.350	1.400	2.700	1.600	3.050	1.850	3.500	2.150	*3.950	2.500	*4.500	2.980	*5.200	3.550	*6.200	4.350
-3,0 m	kg	*1.950	1.350	2.300	1.370	2.600	1.500	2.900	1.700	3.300	1.950	3.850	2.300	4.500	2.700	5.450	3.200	6.850	3.950
-6,0 m	kg	*2.750	1.600					2.950	1.750	3.300	1.950	3.850	2.250	4.500	2.650	5.450	3.200	6.850	3.950
-9,0 m	kg	*3.900	2.550											*4.450	2.900	*5.200	3.500	*6.050	4.300



A – Reach from swing center

B – Bucket hook height

C – Lifting capacities

Weights:

Bucket linkage and bucket cylinder: 195 kg

⊗ – Rating over front

⊗ – Rating over side

⊗ – Rating at maximum reach

* Load is limited by hydraulic capacity rather than tipping. Ratings are based on ISO 10567:2007.

Rated loads do not exceed 87% of hydraulic lift capacity or 75% of tipping load.

Lifting capacity stated is based on lifting with bare arm. When lifting with additional equipment installed to the arm, please subtract the weight of all additional equipment from the values stated. Lifting capacity table is published for guidance only, the machine is not intended for use as a crane.

BUCKET CAPACITY TABLE

PC210LC-11

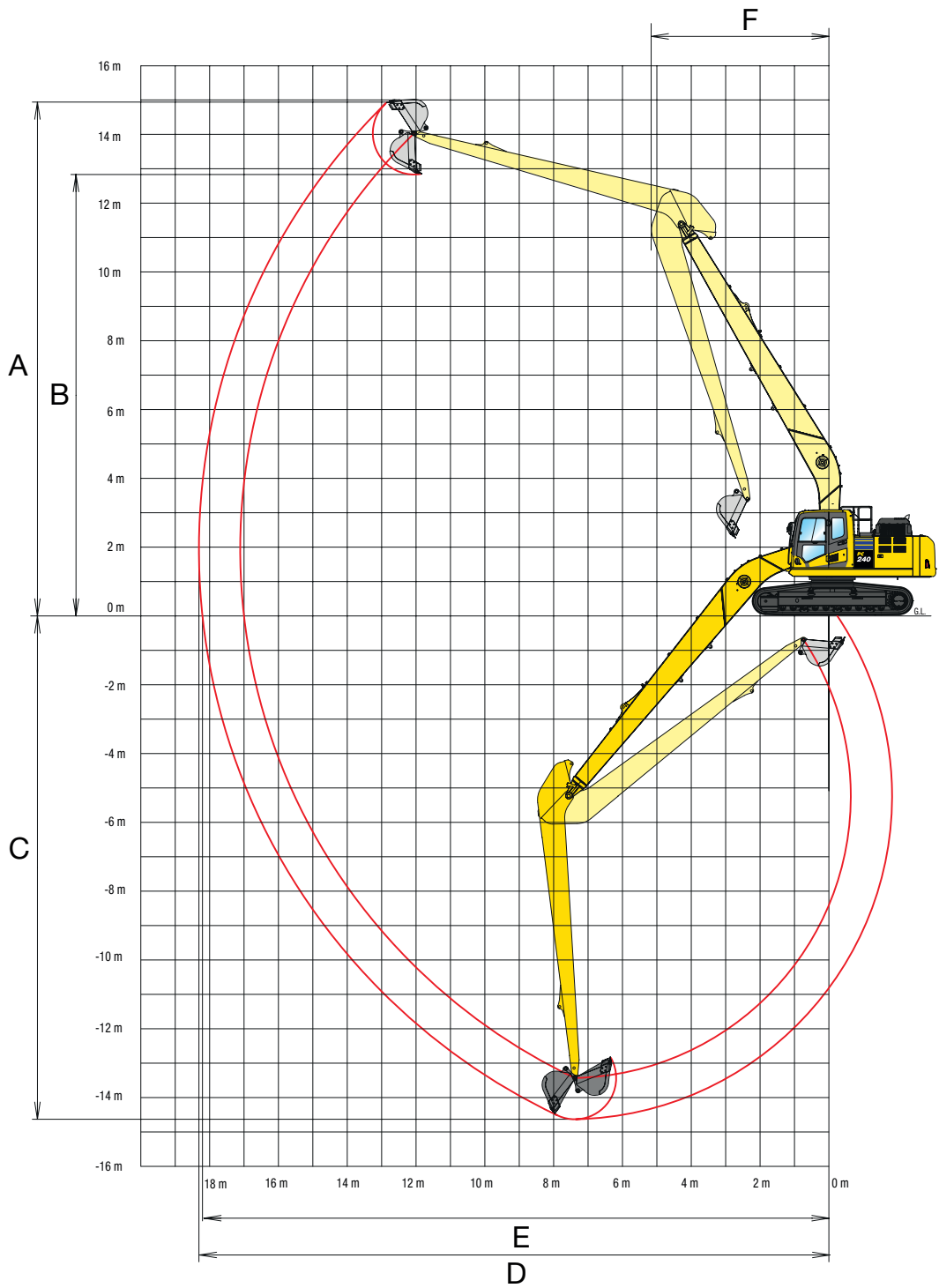
General purpose bucket	
Max. bucket width	955 mm
Max bucket volume	
Material density up to 1,2 t/m ³	0,66 m ³ 525 kg
Material density up to 1,5 t/m ³	0,56 m ³ 475 kg
Material density up to 1,8 t/m ³	0,49 m ³ 425 kg
Ditch cleaning bucket	
Max. bucket width	2.100 mm
Maximum load at end of arm*	1.300 kg

* Maximum load at end of arm (bucket + payload). Max. capacity and weight have been calculated according to ISO 10567:2007.

Please consult with your distributor for the correct selection of buckets and attachments to suit the application.

Working Range PC240LC/NLC-11

SUPER LONG FRONT SPECIFICATION



SUPER LONG FRONT

PC240LC/NLC-11

A	Max. digging height	14.970 mm
B	Max. dumping height	12.860 mm
C	Max. digging depth	14.635 mm
D	Max. digging reach	18.290 mm
E	Max. digging reach at ground level	18.190 mm
F	Min. swing radius	5.195 mm

Specifications PC240LC/NLC-11

ENGINE

Model	Komatsu SAA6D107E-3
Type	Common rail direct injection, water-cooled, emissionised, turbocharged, after-cooled diesel
Engine power	
at rated engine speed	2.000 rpm
ISO 14396	141 kW/189 HP
ISO 9249 (net engine power)	132 kW/177 HP
No. of cylinders	6
Bore × stroke	107 × 124 mm
Displacement	6,69 l
Air filter type	Double element type with monitor panel dust indicator and auto dust evacuator
Cooling	Suction type cooling fan with radiator fly screen
Fuel	Diesel fuel, conforming to EN590 Class 2/Grade D. Paraffinic fuel capability (HVO, GTL, BTL), conforming to EN 15940:2016

HYDRAULIC SYSTEM

Type	HydrauMind. Closed-centre system with load sensing and pressure compensation valves
Additional circuits	1 additional circuit for tilting buckets is fitted as standard
Main pump	2 variable displacement piston pumps supplying boom, arm, bucket, swing and travel circuits
Maximum pump flow	2 × 237,5 l/min
Relief valve settings	
Implement	380 kg/cm ²
Travel	380 kg/cm ²
Swing	295 kg/cm ²
Pilot circuit	33 kg/cm ²

SERVICE REFILL CAPACITIES

Fuel tank	400 l
Radiator	36,0 l
Engine oil	23,1 l
Swing drive	7,2 l
Hydraulic tank	132 l
Final drive (each side)	5,0 l
AdBlue® tank	23,1 l

SWING SYSTEM

Type	Axial piston motor driving through planetary double reduction gearbox
Swing lock	Electrically actuated wet multidisc brake integrated into swing motor
Swing speed	0 - 4,3 rpm
Swing torque	75 kNm

DRIVES AND BRAKES

Steering control	2 levers with pedals giving full independent control of each track
Drive method	Hydrostatic
Travel operation	Automatic 3-speed selection
Gradeability	70%, 35°
Max. travel speeds	
Lo / Mi / Hi	3,0 / 4,1 / 5,5 km/h
Maximum drawbar pull	20.570 kg
Brake system	Hydraulically operated discs in each travel motor

UNDERCARRIAGE

Construction	X-frame centre section with box section track frames
Track assembly	
Type	Fully sealed
Shoes (each side)	51 (PC240LC), 49 (PC240NLC)
Tension	Combined spring and hydraulic unit
Rollers	
Track rollers (each side)	10 (PC240LC), 9 (PC240NLC)
Carrier rollers (each side)	2

ENVIRONMENT

Engine emissions	Fully complies with EU Stage V exhaust emission regulations
Noise levels	
LwA external	103 dB(A) (2000/14/EC Stage II)
LpA operator ear	70 dB(A) (ISO 6396 dynamic test)
Vibration levels (EN 12096:1997)	
Hand/arm	≤ 2,5 m/s ² (uncertainty K = 0,53 m/s ²)
Body	≤ 0,5 m/s ² (uncertainty K = 0,28 m/s ²)
Contains fluorinated greenhouse gas HFC-134a (GWP 1430). Quantity of gas 0,9 kg, CO ₂ equivalent 1,29 t	

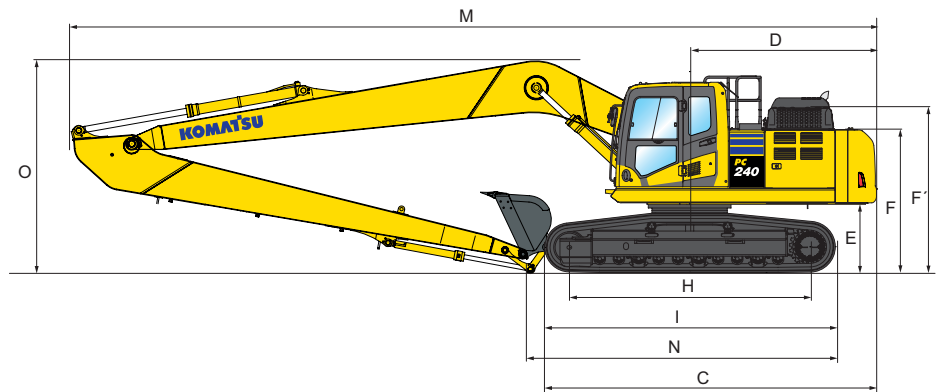
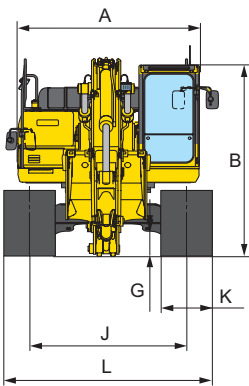
OPERATING WEIGHT (APPR.)

	PC240LC-11		PC240NLC-11	
	Operating weight	Ground pressure	Operating weight	Ground pressure
Triple grouser shoes				
600 mm	28.000 kg	0,56 kg/cm ²	27.400 kg	0,57 kg/cm ²
700 mm	28.300 kg	0,48 kg/cm ²	27.700 kg	0,50 kg/cm ²
800 mm	28.600 kg	0,43 kg/cm ²	28.000 kg	0,44 kg/cm ²
900 mm	28.900 kg	0,38 kg/cm ²	-	-

Operating weight, including Super Long Front work equipment, 410 kg bucket, operator, lubricant, coolant, full fuel tank and the standard equipment.

Dimensions PC240LC/NLC-11

MACHINE DIMENSIONS	PC240LC-11	PC240NLC-11
A Overall width of upper structure	2.705 mm	2.705 mm
B Overall height of cab	3.055 mm	3.055 mm
C Overall length of basic machine	5.305 mm	5.210 mm
D Tail length	2.985 mm	2.985 mm
Tail swing radius	3.020 mm	3.020 mm
E Clearance under counterweight	1.100 mm	1.100 mm
F Machine tail height	2.265 mm	2.265 mm
F' Machine tail height (top of engine cover)	2.780 mm	2.780 mm
G Ground clearance	440 mm	440 mm
H Tumbler centre distance	3.845 mm	3.655 mm
I Track length	4.640 mm	4.450 mm
J Track gauge	2.580 mm	2.380 mm
K Track shoe width	600, 700, 800, 900 mm	600, 700, 800 mm
L Overall track width with 600 mm shoes	3.180 mm	2.980 mm
Overall track width with 700 mm shoes	3.280 mm	3.080 mm
Overall track width with 800 mm shoes	3.380 mm	3.180 mm
Overall track width with 900 mm shoes	3.480 mm	–



TRANSPORT DIMENSIONS	PC240LC/NLC-11
Arm length	9.325 mm
Boom length	10.530 mm
M Transport length	14.480 mm
N Length on ground (transport) LC/NLC	4.520 / 4.425 mm
O Overall height (to top of boom)	3.330 mm

SUPER LONG FRONT/LONG REACH

Lifting Capacity PC240LC/NLC-11

PC240LC-11 SUPER LONG FRONT SPECIFICATION

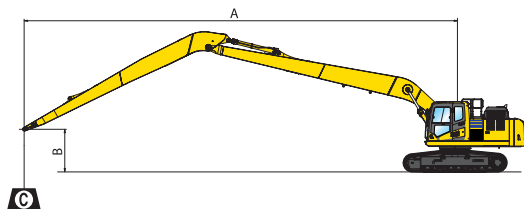
With 700 mm shoes

A	⊗		17,0 m		15,0 m		13,0 m		11,0 m		9,0 m		8,0 m		7,0 m		6,0 m		
	⊗	⊗	⊗	⊗	⊗	⊗	⊗	⊗	⊗	⊗	⊗	⊗	⊗	⊗	⊗	⊗	⊗	⊗	
14,0 m	kg	*1.200	*1.200																
10,0 m	kg	*1.100	*1.100			*1.400	*1.400	*1.700	*1.700										
6,0 m	kg	*1.100	1.000			*1.950	1.700	*2.000	*2.000	*2.050	*2.050								
3,0 m	kg	*1.200	800	*1.650	1.100	*2.200	1.500	*2.400	2.050	*2.700	*2.700	*3.150	*3.150	*3.450	*3.450	*3.900	*3.900	*4.550	*4.550
0,0 m	kg	*1.350	750	1.800	1.000	2.250	1.350	*2.850	1.750	*3.350	2.350	*4.200	3.250	*4.800	3.850	*5.700	4.600	*6.950	5.650
-3,0 m	kg	1.500	750			2.100	1.200	2.650	1.550	3.400	2.050	4.550	2.750	5.400	3.250	6.550	3.900	*7.750	4.800
-6,0 m	kg	1.650	850			2.050	1.150	2.550	1.450	3.250	1.900	4.350	2.550	5.200	3.050	6.300	3.700	8.050	4.650
-9,0 m	kg	2.100	1.100					2.600	1.500	3.300	1.900	4.400	2.600	5.250	3.100	6.450	3.800	*8.050	4.800
-13,0 m	kg	*3.750	2.500											*4.450	3.600	*5.150	4.400	*5.950	5.550

PC240NLC-11 SUPER LONG FRONT SPECIFICATION

With 700 mm shoes

A	⊗		17,0 m		15,0 m		13,0 m		11,0 m		9,0 m		8,0 m		7,0 m		6,0 m		
	⊗	⊗	⊗	⊗	⊗	⊗	⊗	⊗	⊗	⊗	⊗	⊗	⊗	⊗	⊗	⊗	⊗	⊗	
14,0 m	kg	*1.200	*1.200																
10,0 m	kg	*1.100	*1.100			*1.400	*1.400	*1.700	*1.700										
6,0 m	kg	*1.100	1.000			*1.950	1.450	*2.000	*2.000	*2.050	*2.050								
3,0 m	kg	*1.200	800	1.650	900	2.150	1.300	*2.400	*1.750	*2.700	2.450	*3.150	*3.150	*3.450	*3.450	*3.900	*3.900	*4.550	*4.550
0,0 m	kg	*1.350	750	1.550	800	2.000	1.100	2.550	1.500	3.350	2.000	*4.200	2.800	*4.800	3.300	*5.700	4.000	*6.950	4.900
-3,0 m	kg	1.500	750			1.850	950	2.300	1.250	3.000	1.700	*4.000	2.300	4.750	2.750	5.750	3.250	7.200	4.050
-6,0 m	kg	1.650	850			1.750	900	2.200	1.150	2.850	1.550	3.800	2.100	4.550	2.500	5.550	3.100	7.000	3.850
-9,0 m	kg	2.100	1.100					2.250	1.200	2.850	1.550	3.850	2.150	4.600	2.600	5.650	3.200	7.200	4.050
-13,0 m	kg	*3.750	2.500											*4.450	3.100	*5.150	3.750	*5.950	4.750



A – Reach from swing center

B – Bucket hook height

C – Lifting capacities

Weights:

Bucket linkage and bucket cylinder: 195 kg

⊗ – Rating over front

⊗ – Rating over side

⊗ – Rating at maximum reach

* Load is limited by hydraulic capacity rather than tipping. Ratings are based on ISO 10567:2007.

Rated loads do not exceed 87% of hydraulic lift capacity or 75% of tipping load.

Lifting capacity stated is based on lifting with bare arm. When lifting with additional equipment installed to the arm, please subtract the weight of all additional equipment from the values stated. Lifting capacity table is published for guidance only, the machine is not intended for use as a crane.

BUCKET CAPACITY TABLE

PC240LC-11

PC240NLC-11

General purpose bucket

Max. bucket width	955 mm		955 mm	
Max bucket volume				
Material density up to 1,2 t/m ³	0,51 m ³	450 kg	0,38 m ³	390 kg
Material density up to 1,5 t/m ³	0,44 m ³	415 kg	0,31 m ³	355 kg
Material density up to 1,8 t/m ³	0,38 m ³	390 kg	0,27 m ³	340 kg

Ditch cleaning bucket

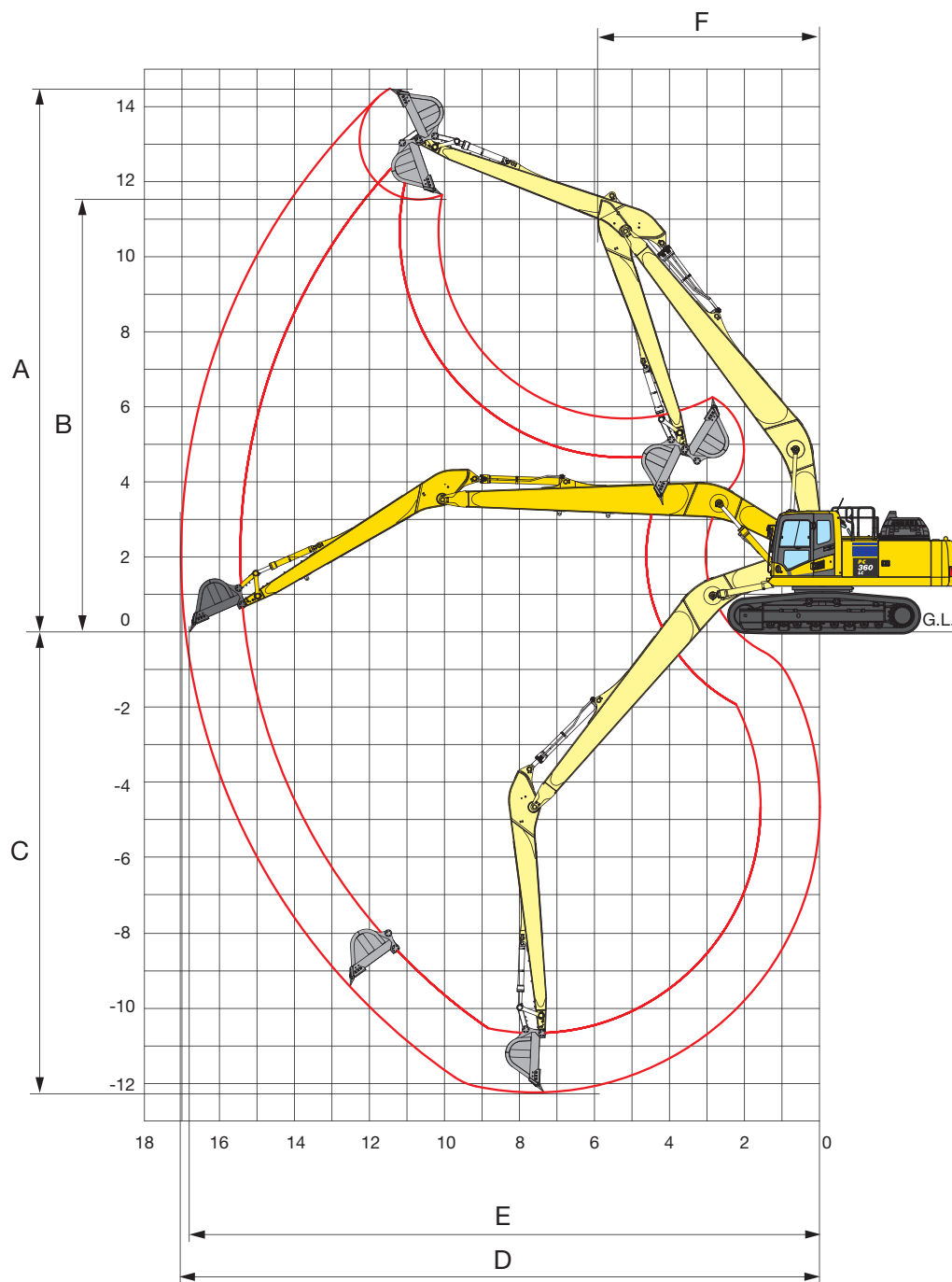
Max. bucket width	2.100 mm		2.100 mm	
Maximum load at end of arm*	1.300 kg		1.000 kg	

* Maximum load at end of arm (bucket + payload). Max. capacity and weight have been calculated according to ISO 10567:2007.

Please consult with your distributor for the correct selection of buckets and attachments to suit the application.

Working Range PC360LC-11

17 M LONG REACH SPECIFICATION



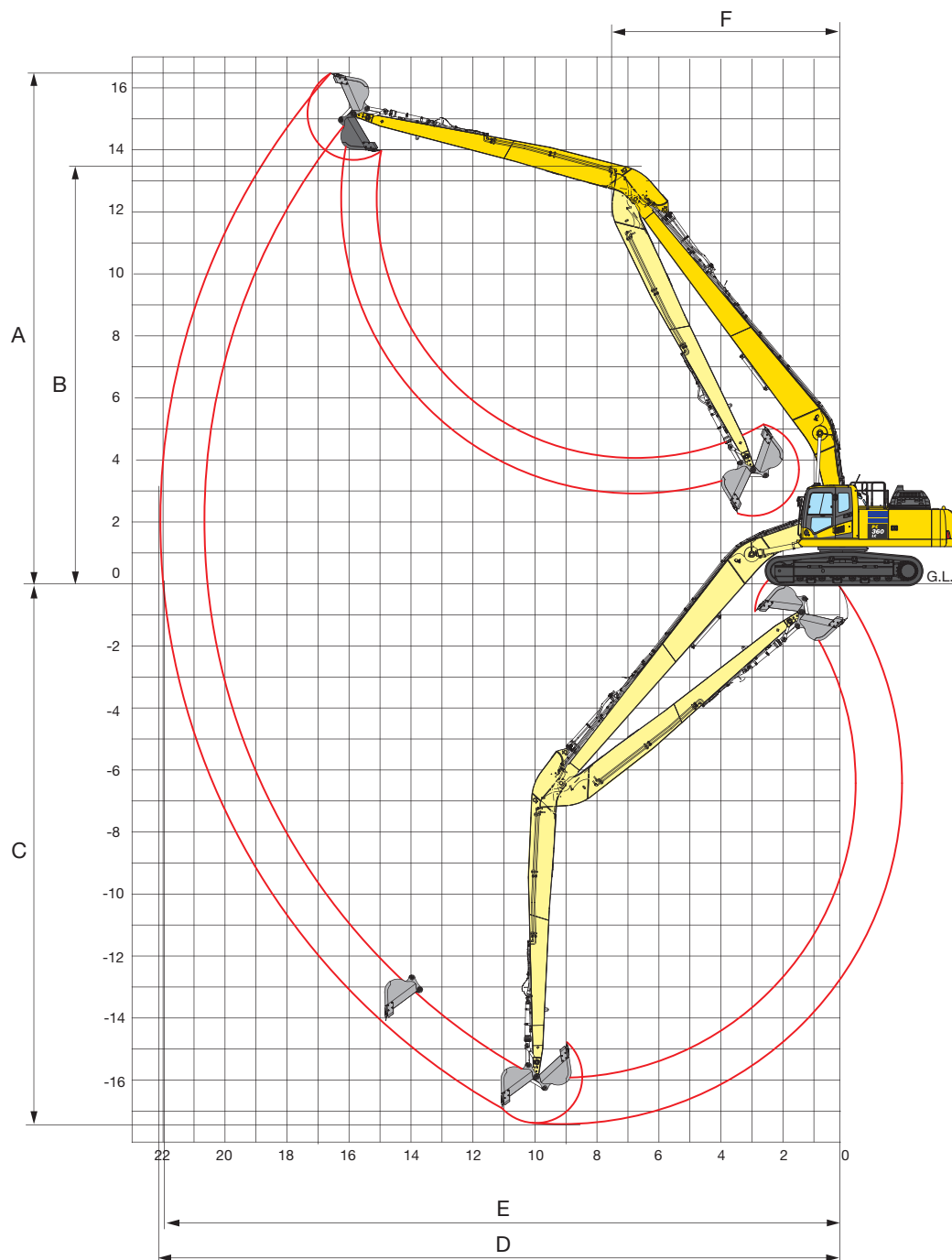
17 M LONG REACH SPECIFICATION

PC360LC-11

A	Max. digging height	14.595 mm
B	Max. dumping height	11.480 mm
C	Max. digging depth	12.300 mm
D	Max. digging reach	17.000 mm
E	Max. digging reach at ground level	16.880 mm
F	Min. swing radius	5.970 mm

Working Range PC360LC-11

22 M SUPER LONG FRONT SPECIFICATION



22 M SUPER LONG FRONT SPECIFICATION

PC360LC-11

A	Max. digging height	16.260 mm
B	Max. dumping height	13.480 mm
C	Max. digging depth	17.485 mm
D	Max. digging reach	22.010 mm
E	Max. digging reach at ground level	21.915 mm
F	Min. swing radius	7.350 mm

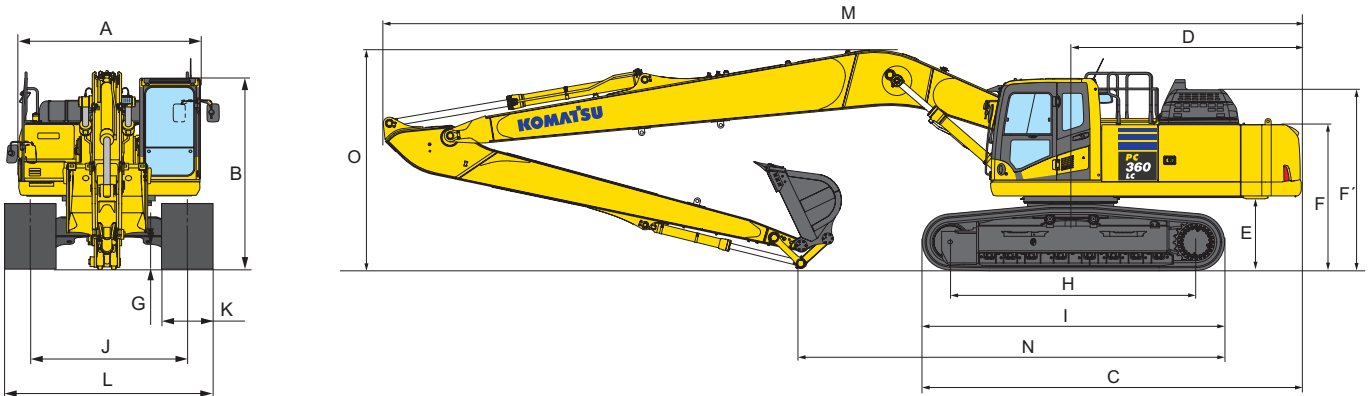
Dimensions PC360LC-11

MACHINE DIMENSIONS

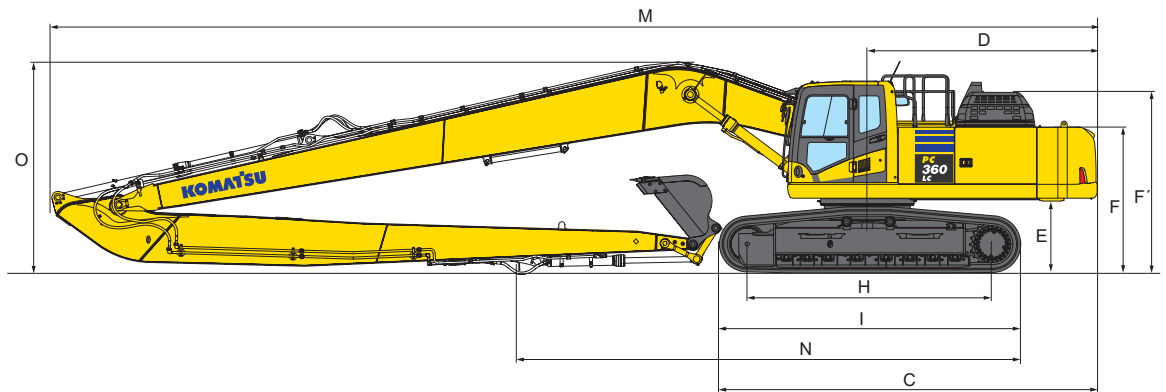
PC360LC-11

A	Overall width of upper structure	2.995 mm
B	Overall height of cab	3.160 mm
C	Overall length of basic machine	6.200 mm
D	Tail length	3.770 mm
	Tail swing radius	3.820 mm
E	Clearance under counterweight	1.185 mm
F	Machine tail height	2.350 mm
F'	Machine tail height (top of engine cover)	2.920 mm
G	Ground clearance	500 mm
H	Tumbler centre distance	4.030 mm
I	Track length	4.955 mm
J	Track gauge	2.590 mm
K	Track shoe width	600, 700, 800, 850 mm
L	Overall track width with 600 mm shoes	3.190 mm
	Overall track width with 700 mm shoes	3.290 mm
	Overall track width with 800 mm shoes	3.390 mm
	Overall track width with 850 mm shoes	3.440 mm

17 M LONG REACH SPECIFICATION



22 M SUPER LONG FRONT SPECIFICATION



TRANSPORT DIMENSIONS

17 M LONG REACH SPECIFICATION

22 M SUPER LONG FRONT SPECIFICATION

	Arm length	7.230 mm	10.700 mm
	Boom length	10.210 mm	12.400 mm
M	Transport length	15.050 mm	17.210 mm
N	Length on ground (transport)	6.920 mm	11.800 mm
O	Overall height (to top of boom)	3.710 mm	3.470 mm

Specifications PC360LC-11

ENGINE

Model	Komatsu SAA6D114E-6
Type	Common rail direct injection, water-cooled, emissionised, turbocharged, after-cooled diesel
Engine power	
at rated engine speed	1.950 rpm
ISO 14396	202 kW/271 HP
ISO 9249 (net engine power)	192 kW/257 HP
No. of cylinders	6
Bore × stroke	114 × 144,5 mm
Displacement	8,85 l
Air filter type	Double element type with monitor panel dust indicator and auto dust evacuator
Cooling	Suction type cooling fan with radiator fly screen
Fuel	Diesel fuel, conforming to EN590 Class 2/Grade D. Paraffinic fuel capability (HVO, GTL, BTL), conforming to EN 15940:2016

HYDRAULIC SYSTEM

Type	HydrauMind. Closed-centre system with load sensing and pressure compensation valves
Additional circuits	1 additional circuit for tilting buckets is fitted as standard
Main pump	2 variable displacement piston pumps supplying boom, arm, bucket, swing and travel circuits
Maximum pump flow	2 × 267,5 l/min
Relief valve settings	
Implement	380 kg/cm ²
Travel	380 kg/cm ²
Swing	285 kg/cm ²
Pilot circuit	33 kg/cm ²

SERVICE REFILL CAPACITIES

Fuel tank	605 l
Radiator	37,0 l
Engine oil	38,5 l
Swing drive	14,0 l
Hydraulic tank	188 l
Final drive (each side)	9,0 l
AdBlue® tank	39,0 l

OPERATING WEIGHT (APPR.)

	LONG REACH SPECIFICATION		SUPER LONG FRONT SPECIFICATION	
	Operating weight	Ground pressure	Operating weight	Ground pressure
Triple grouser shoes				
600 mm	42.200 kg	0,80 kg/cm ²	41.370 kg	0,78 kg/cm ²
700 mm	42.580 kg	0,69 kg/cm ²	41.750 kg	0,68 kg/cm ²
800 mm	42.960 kg	0,61 kg/cm ²	42.130 kg	0,60 kg/cm ²
850 mm	43.150 kg	0,57 kg/cm ²	42.320 kg	0,56 kg/cm ²

17 m Long Reach Specification: Operating weight, including specified work equipment, 871 kg bucket, operator, lubricant, coolant, full fuel tank and the standard equipment.

22 m Super Long Front Specification: Operating weight, including specified work equipment, 475 kg bucket, operator, lubricant, coolant, full fuel tank and the standard equipment.

SWING SYSTEM

Type	Axial piston motor driving through planetary double reduction gearbox
Swing lock	Electrically actuated wet multidisc brake integrated into swing motor
Swing speed	0 - 8,0 rpm
Swing torque	103 kNm

DRIVES AND BRAKES

Steering control	2 levers with pedals giving full independent control of each track
Drive method	Hydrostatic
Travel operation	Automatic 3-speed selection
Gradeability	70%, 35°
Max. travel speeds	
Lo / Mi / Hi	3,2 / 4,5 / 5,5 km/h
Maximum drawbar pull	29.570 kg
Brake system	Hydraulically operated discs in each travel motor

UNDERCARRIAGE

Construction	X-frame centre section with box section track frames
Track assembly	
Type	Fully sealed
Shoes (each side)	48
Tension	Combined spring and hydraulic unit
Rollers	
Track rollers (each side)	8
Carrier rollers (each side)	2

ENVIRONMENT

Engine emissions	Fully complies with EU Stage V exhaust emission regulations
Noise levels	
LwA external	104 dB(A) (2000/14/EC Stage II)
LpA operator ear	71 dB(A) (ISO 6396 dynamic test)
Vibration levels (EN 12096:1997)	
Hand/arm	≤ 2,5 m/s ² (uncertainty K = 0,37 m/s ²)
Body	≤ 0,5 m/s ² (uncertainty K = 0,17 m/s ²)
Contains fluorinated greenhouse gas HFC-134a (GWP 1430). Quantity of gas 0,8 kg, CO ₂ equivalent 1,14 t	

Lifting Capacity PC360LC-11

17 M LONG REACH SPECIFICATION

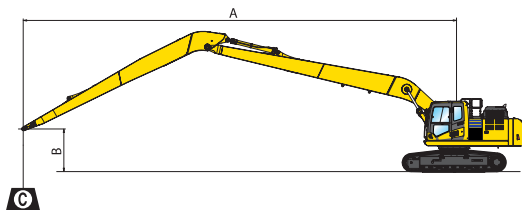
With 700 mm shoes

A	⊗		15,0 m		13,5 m		12,0 m		10,5 m		9,0 m		7,5 m		6,0 m		4,5 m		
	⊗	⊞	⊗	⊞	⊗	⊞	⊗	⊞	⊗	⊞	⊗	⊞	⊗	⊞	⊗	⊞	⊗	⊞	
12,0 m	kg	*2.850	*2.850																
9,0 m	kg	*2.700	*2.700			*3.400	*3.400	*4.100	*4.100										
6,0 m	kg	*2.700	*2.700			*4.050	*4.050	*4.320	*4.350	*4.750	*4.800	*5.300	*5.100						
3,0 m	kg	*2.850	*2.850	*3.900	3.550	*4.250	4.200	*4.700	*4.700	*5.350	*5.350	*6.300	*6.000	*7.500	*7.450	*9.700	*9.700		
0,0 m	kg	*3.200	3.150	*3.900	3.350	*4.400	3.950	*5.000	4.650	*5.750	5.550	*6.750	6.600	*8.650	*8.600	*10.250	*10.200	*4.250	*4.250
-3,0 m	kg	*3.750	*3.300			*4.250	3.650	*4.950	4.300	*5.800	5.100	*6.850	6.200	*8.750	8.250	*10.950	*10.900	*7.600	*7.600
-6,0 m	kg	*3.750	*3.750					*4.450	4.300	*5.300	5.050	*6.300	6.200	*7.850	*7.850	*9.550	*9.550	*11.800	*11.750
-9,0 m	kg	*3.400	*3.400							3.600	*3.600	*4.600	*4.600	*5.800	*5.800	*6.850	*6.850	*8.050	*8.000
-10,5 m	kg	*2.800	*2.800											*3.900	*3.900				

22 M SUPER LONG FRONT SPECIFICATION

With 700 mm shoes

A	⊗		20,0 m		18,0 m		16,0 m		14,0 m		12,0 m		10,0 m		8,0 m		6,0 m		
	⊗	⊞	⊗	⊞	⊗	⊞	⊗	⊞	⊗	⊞	⊗	⊞	⊗	⊞	⊗	⊞	⊗	⊞	
13,5 m	kg	*1.300	*1.300																
10,5 m	kg	*1.250	*1.250			*1.900	*1.900	*2.000	*2.000										
9,0 m	kg	*1.250	*1.250			*1.950	*1.950	*2.050	*2.050										
6,0 m	kg	*1.250	*1.250	*1.800	*1.800	*2.000	*2.000	*2.200	*2.200	*2.450	*2.450								
3,0 m	kg	*1.300	*1.300	*1.950	1.800	*2.150	*2.150	*2.400	*2.400	*2.700	*2.700	*3.200	*3.200	*3.850	*3.850	*4.950	*4.950		
0,0 m	kg	*1.450	*1.450	*2.000	1.650	*2.250	2.050	*2.550	*2.550	*3.000	*3.000	*3.550	*3.550	*4.450	*4.450	*5.850	*5.850	*7.050	*7.050
-3,0 m	kg	*1.650	1.550	*1.950	1.600	*2.300	1.900	*2.700	2.350	*3.150	2.900	*3.850	3.650	*4.800	4.650	*6.350	6.150	*6.250	*6.250
-6,0 m	kg	*1.950	1.650			*2.250	1.850	*2.700	2.200	*3.200	2.700	*3.900	3.350	*4.900	4.300	*6.350	5.850	*7.550	*7.550
-9,0 m	kg	*2.000	1.950					*2.450	2.200	*3.050	2.650	*3.700	3.300	*4.600	4.250	*5.850	5.850	*7.750	*7.750
-10,5 m	kg	*1.950	*1.950					*2.200	*2.200	*2.800	2.700	*3.450	3.350	*4.300	4.300	*5.450	*5.450	*7.100	*7.100
-13,5 m	kg	*1.800	*1.800									*2.500	*2.500	*3.200	*3.200	*4.000	*4.550	*5.050	*5.050
-15,0 m	kg	*1.500	*1.500											*2.250	*2.250	*2.900	*3.400	*3.550	*3.550



- A – Reach from swing center
- B – Bucket hook height
- C – Lifting capacities
- ⊗ – Rating over front
- ⊞ – Rating over side
- ⊗ – Rating at maximum reach

Weights:
Bucket linkage and bucket cylinder: 370 kg

* Load is limited by hydraulic capacity rather than tipping. Ratings are based on ISO 10567:2007.

Rated loads do not exceed 87% of hydraulic lift capacity or 75% of tipping load.

Lifting capacity stated is based on lifting with bare arm. When lifting with additional equipment installed to the arm, please subtract the weight of all additional equipment from the values stated. Lifting capacity table is published for guidance only, the machine is not intended for use as a crane.

SUPER LONG FRONT/LONG REACH

Bucket Capacity PC360LC-11

BUCKET CAPACITY TABLE		PC360LC-11			
Equipment	17 m Long Reach		22 m Super Long Front		
General purpose bucket					
Max. bucket width	1.200 mm		955 mm		
Max bucket volume					
Material density up to 1,2 t/m ³	1,11 m ³	890 kg	0,63 m ³	650 kg	
Material density up to 1,5 t/m ³	1,01 m ³	830 kg	0,53 m ³	610 kg	
Material density up to 1,8 t/m ³	0,93 m ³	780 kg	0,47 m ³	575 kg	
Ditch cleaning bucket					
Max. bucket width	2.100 mm		2.100 mm		
Maximum load at end of arm*	2.455 kg		1.300 kg		

* Maximum load at end of arm (bucket + payload). Max. capacity and weight have been calculated according to ISO 10567:2007. Please consult with your distributor for the correct selection of buckets and attachments to suit the application.

Standard and Optional Equipment

ENGINE

Komatsu turbocharged common rail direct injection diesel engine	●
EU Stage IV compliant (PC138US-11)	●
EU Stage V compliant (PC210LC-11, PC240LC/NLC-11, PC360LC-11)	●
Suction type cooling fan with radiator fly screen	●
Automatic engine warm-up system	●
Engine overheat prevention system	●
Fuel control dial	●
Auto-deceleration function	●
Adjustable idle shutdown	●
Engine key stop	●
Engine ignition can be password secured on request	●

HYDRAULIC SYSTEM

Electronic closed-centre load sensing (E-CLSS) hydraulic system (HydrauMind)	●
Pump and engine mutual control (PEMC) system	●
6-working mode selection system; power mode, economy mode, breaker mode, attachment power and attachment economy mode, and lifting mode	●
PPC wrist control levers for arm, boom, bucket and swing, with sliding proportional control for attachments and 3 auxiliary buttons	●
1 additional hydraulic circuit, suitable for working with tilting bucket	●
High flow additional hydraulic circuit and low flow additional hydraulic circuit (PC138US only)	●
Prepared for hydraulic quick-coupler	●

DRIVES AND BRAKES

Hydrostatic, 3-speed travel system with automatic shift and planetary gear type final drives, and hydraulic travel and parking brakes	●
PPC control levers and pedals for steering and travel	●

UNDERCARRIAGE

Track roller guards	●
Track frame under-guards	●
500, 600, 700 mm triple grouser shoes (PC138US-11)	○
600, 700, 800, 900 mm triple grouser shoes (PC210LC-11, PC240LC/NLC-11)	○
700, 800, 850 mm triple grouser shoes (PC360LC-11)	○
Full length track roller guards	○

CABIN

Reinforced safety SpaceCab™; highly pressurised and tightly sealed hyper viscous mounted cab with tinted safety glass windows, large roof window with sun shade, pull-up type front window with locking device, removable lower window, front window wiper with intermittent feature, sun roller blind, cigarette lighter, ashtray, luggage shelf, floor mat	●
Heated, high-back air-suspended seat with lumbar support, console mounted height adjustable arm rests, and retractable seat belt	●
Automatic climate control system	●
12/24 Volt power supplies	●
Beverage holder and magazine rack	●
Hot and cool box	●
Radio (AM/FM)	●
Auxiliary input (MP3 jack)	●
Lower wiper	○
Rain visor (not with OPG)	○
DAB+ digital radio w. auxiliary input (MP3 jack)	○

SERVICE AND MAINTENANCE

Automatic fuel line de-aeration	●
Double element type air cleaner with dust indicator and auto dust evacuator	●
KOMTRAX – Komatsu wireless monitoring system (3G)	●
Komatsu CARE™ – a maintenance program for Komatsu customers	●
Multifunction video compatible colour monitor with Equipment Management and Monitoring System (EMMS) and efficiency guidance	●
Toolkit	●
Automatic greasing system (PC360 LR only)	●
Service points	○

LIGHTING SYSTEM

Working lights: 2 revolving frame, 1 boom (l.h.)	●
Additional working lights: 4 cab roof (front), 1 cab roof (rear), 1 boom (r.h.), 1 counterweight (rear), beacon	○
LED working lights: 2 revolving frame (halogen), 2 boom (LED, l.h. & r.h.), 2 boom cylinders (LED), 4 cab roof (LED, front), 1 cab roof (halogen, rear), 2 counterweight (halogen, rear), 1 right side machine (halogen), beacon	○

SAFETY EQUIPMENT

KomVision surround view system	●
Electric horn	●
Overload warning device	●
Audible travel alarm	●
Boom safety valves	●
Large handrails, rear-view mirrors	●
Battery main switch	●
ROPS compliant to ISO 12117-2:2008	●
Emergency engine stop switch	●
Seat belt caution indicator	●
Neutral position detection system	●
OPG Level II front guard (FOPS), hinged type	○
OPG Level II top guard (FOPS)	○

OTHER EQUIPMENT

Heavy counterweight	●
Remote greasing for swing circle and pins	●
Electric refuelling pump with automatic shut-off function	●
Biodegradable oil for hydraulic system	○
Customised paint	○

WORK EQUIPMENT

Super Long Front boom and arm	●
Long Reach boom and arm (PC360LC only)	●
Sealed bucket linkage pins (PC360LC only)	○
Komatsu buckets	○

Further equipment on request

- standard equipment
- optional equipment

Your Komatsu partner:

KOMATSU

**Komatsu Europe
International N.V.**

Mechelsesteenweg 586
B-1800 VILVOORDE (BELGIUM)
Tel. +32-2-255 24 11
Fax +32-2-252 19 81
www.komatsu.eu

UENSS17905 02/2020

KOMATSU is a trademark of Komatsu Ltd. Japan.