



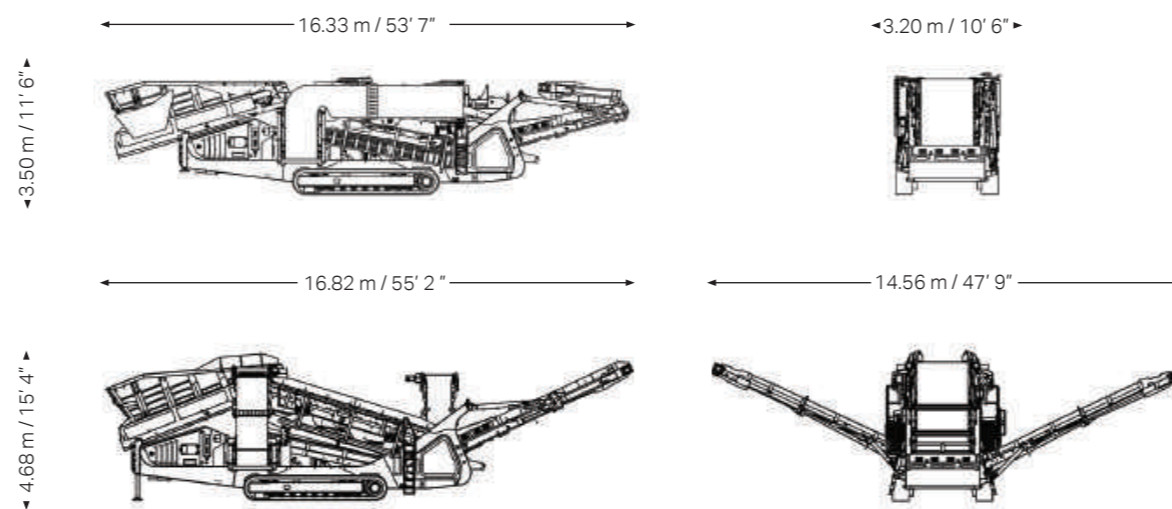
SANDVIK QE442 SCALPING SCREEN

TECHNICAL SPECIFICATIONS

KEY SPECIFICATIONS	QE442
Screen box	
Type	2 bearing, 2 dec
Top deck	5.48 m x 1.75 m / 18' x 6'
Bottom deck	5.00 m x 1.75 m / 16' 5" x 6'
Variable screen angle	11° - 17°
Feeder	Steel Apron
Conveyor belt width	
Oversize	1.60 m / 63"
Side (midsize)	900 mm / 36"
Side (fines)	1.00 m / 39"
Transfer	1.40 m / 4' 7"

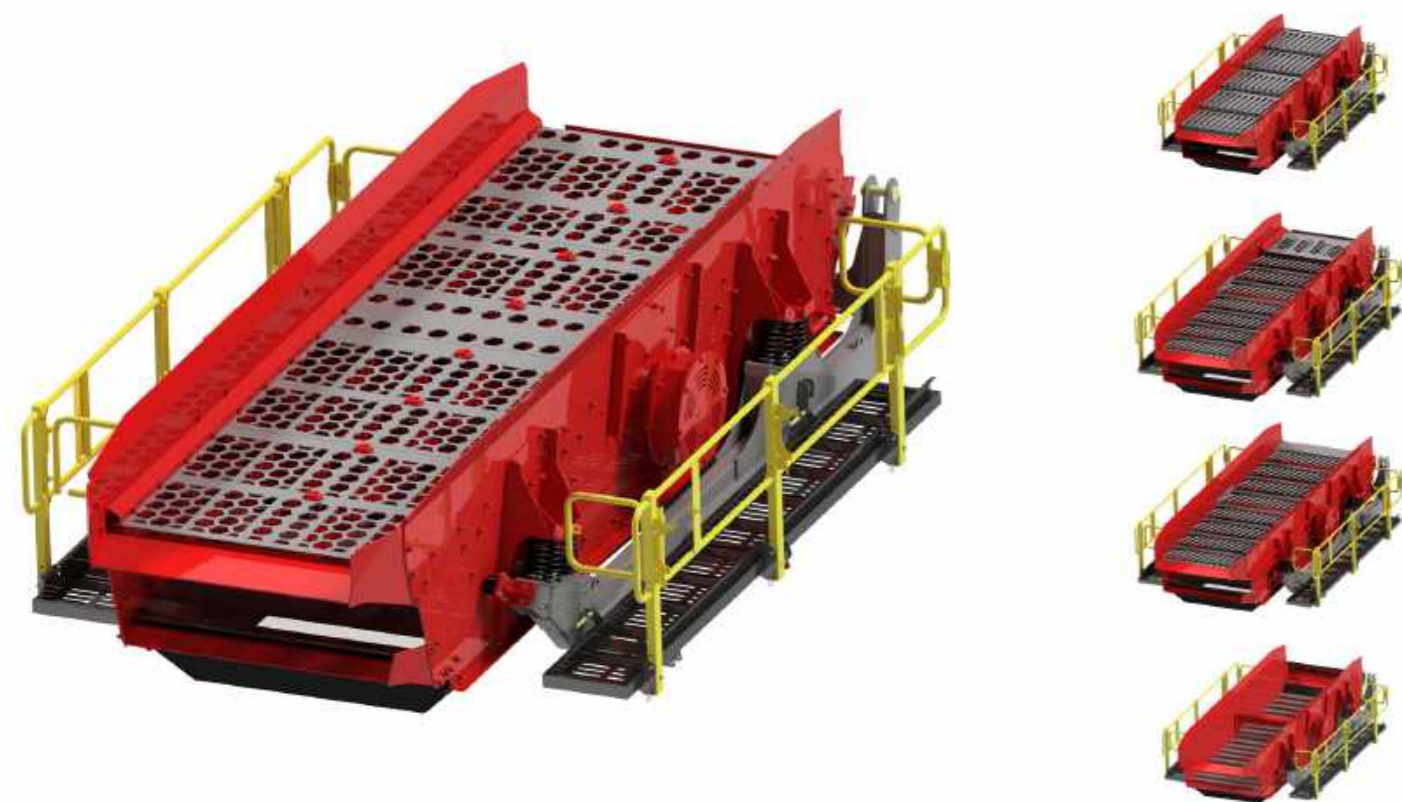
KEY SPECIFICATIONS	QE442
Conveyor discharge height	
Oversize	3.60 m - 4.30 m / 11' 10" - 14' 1"
Side (midsize)	4.00 m / 13' 1"
Side (fines)	4.28 m / 14' 1"
Power pack	
Engine type	CAT C4.4 Stage 5 / T4F 110 kW / 147 hp CAT C4.4 Stage 3A Constant Speed 98 kW / 132 hp
Diesel tank size	460 litres / 121.5 USG
Hydraulic tank size	800 litres / 211 USG

Note. All weights and dimensions are for standard units only



Standard weight 35,485 kg / 76,026 lbs

Ability to configure with punch plate, grizzly fingers, bofar bars, mesh or cascade fingers



B5-338 ENG © Sandvik Mobile Crushing and Screening 2021. SANDVIK is a registered trademark owned by Sandvik Intellectual Property AB in Sweden and other countries. Subject to change without notice.



QE442 SCALPER

KEY SPECIFICATIONS	DATA
Screen type	2 bearing, 2 deck
Screen box size	18' x 6' / 5.48 m x 1.75 m
Engine	CAT C4.4 Stage 5 / T4F 110 kW / 147 hp CAT C4.4 Stage 3A Constant Speed 98 kW / 132 hp
Transport dimensions	16.33 m / 53' 7" (l) 3.20 m / 10' 6" (w) 3.50 m / 11' 6" (h)
Weight	35,485 kg / 76,026 lbs

HEAVY DUTY SCALPING

The QE442 is the latest upgrade to the class leading range of heavy duty scalpers from Sandvik.

This pioneering solution offers the user-friendly features of our 1-Series screens including an electrical control system with sequential start, designed to improve both operational effectiveness and machine safety. Built on a crusher-style chassis for durability, it incorporates a hydraulically operated heavy duty screenbox with high speed and aggressive throw. The QE442 also comes equipped with an apron feeder, reinforced hopper doors and impact bar lined overs conveyors all as standard.

We have developed the QE442 to best suit your large quarrying, mining or recycling applications. With a wide range of screen deck options available, it can be configured to meet your specific requirements. It has the ability to work before or after a primary crusher or as a stand-alone unit, making it a highly flexible and efficient solution able to deliver outstanding production rates and clean separation.

STANDARD FEATURES INCLUDE:

- Heavy duty screen with uniquely high throw and aggressive action
- Massive stockpiling capability through integrated hydraulic conveyors
- Hydraulic folding maintenance platforms for ease of maintenance
- Feeder load facility - feeder pauses in the event of an overload
- Compatible for 2-way or 3-way split configurations
- Fully compliant with current safety regulations
- Designed for efficient fuel economy and low operating costs

- 1 Feed hopper**
- Large volume wear resistant feed hopper
 - One-piece hopper design for quick set-up time
 - Split rear hopper door which can be lowered for direct feeding with crusher
 - Heavy duty apron chain feeder fitted as standard

- 2 Screen box**
- Heavy duty 18' x 6' / 5.48 m x 1.75 m screen box with uniquely high throw and aggressive action ensures maximum productivity
 - Screen box can be raised for bottom deck change enabling ease of maintenance
 - Hydraulic adjustment of screening angle
 - Hydraulically folding maintenance platforms on both sides for ease of access for maintenance

- 3 Mid size conveyor**
- Discharge height 4.00 m / 13' 1" enabling massive stockpiling capacity
 - 900 mm / 36" wide belt
 - Hydraulically angle adjustable

- 9 Fines conveyor**
- Discharge height 4.28 m / 14' 1" enabling massive stockpiling capacity
 - 1.00 m / 39" wide belt
 - Hydraulically angle adjustable

- 4 Oversize conveyor**
- Discharge height 3.60 m - 4.30 m / 11' 10" - 14' 1" enabling massive stockpiling capacity
 - Massive 1.60 m / 63" wide belt to optimize material flow and increase capacity
 - Hydraulically angle adjustable

- 8 Power pack**
- Emissions compliant engine
 - Easy access for service and maintenance
 - Steel diesel tank with twin filler enables filling from either side of the machine
 - Lighting mast and cabinet lights
 - My Fleet telematics

- 7 Control system**
- User friendly colour coded control panel
 - One-touch sequential auto start / stop facility for easy operation
 - Hydraulic oil cooler fitted as standard
 - Temperature controlled for more efficient use of power

- 6 Tracks**
- 500 mm / 20" wide two speed tracks driven by radio or umbilical control
 - Radio remote control, proportional tracking as standard

- 5 Chassis**
- Robust crusher-style chassis
 - Large clearance from oversize belt to chassis for oversize material
 - Compatible for 2 way and 3 way split configurations
 - Ergonomically designed incline ladders for easy and safe access onto walkways
 - Rear stabilizing legs



STANDARD FEATURES



Colour coded control panel for ease of operation



Hydraulically folding maintenance platforms



One piece hopper for quick and easy set-up



Two-speed tracking and remote control



Screen box jack up facility allows easy access



Split rear hopper door for direct feeding